
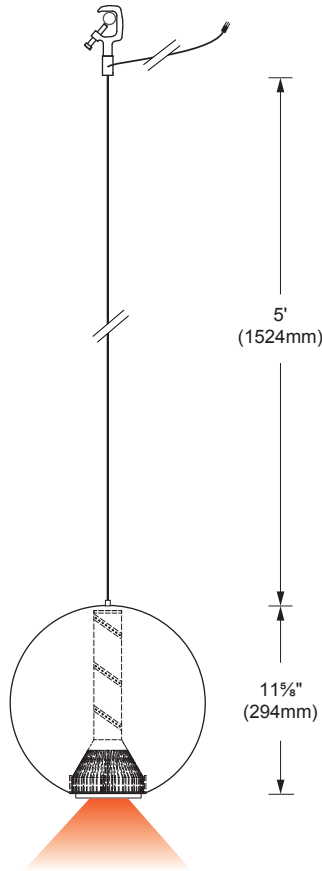


Generic image of standard canopy mount.

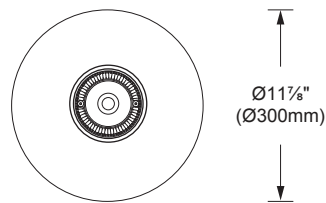
This classic design creates a soft and inviting glare free atmosphere suitable for both commercial and residential applications.

General light characteristics:	Power input: TBC W Wavelength: 590-625 nm
General light source:	Starwire orange ledstrip module.
Optics:	General lighting & indirect emission.
Downlight characteristics: (for 3500K;80CRI LED source)	Power input: 28.5W Lumens: 3203lm Luminaire efficacy: 112lm/W
Downlight source:	BRIDGELUX VERO18 LED (LM-80 tested) with OTF orange lens.
Lumen maintenance:	80% of initial lumens at 50 000 hours (L80) (LM-79 tested).
Optics:	Wide Flood.
Material:	Shade holder : Machined aluminum. General light diffuser: Frosted acrylic shade. Downlight lens diffuser: Acrylic. Downlight body: Extruded aluminium. Downlight reflector: High bright anodized aluminium.
Mounting:	To be installed with provided C-Clamp on pipes (Ø 1 to 2", for other diameters contact factory). Supplied with 6' field adjustable black cord & plug power cable.
Electrical:	Integral high efficiency electronic power supplies, rated 50 000 hours, 120-277V. Supplied with 1 circuit.
Dimming:	None dimmable.
Finish:	Black finish on all exterior visible parts.
Warranty:	5 year limited warranty.
Ratings:	IP20
Certification:	 cULus listed for damp location

DIMENSIONS



FRONT VIEW



BOTTOM VIEW

ORDERING INFO

1933-SPS014792				
MODEL	LED GENERAL LIGHT	LED DIRECT	VOLTAGE	FINISH
● 1933	● OTF - OTF Orange, GL	● OTF - OTF Orange lens, Flood optic	● 120- 120V	● Black on all visible parts